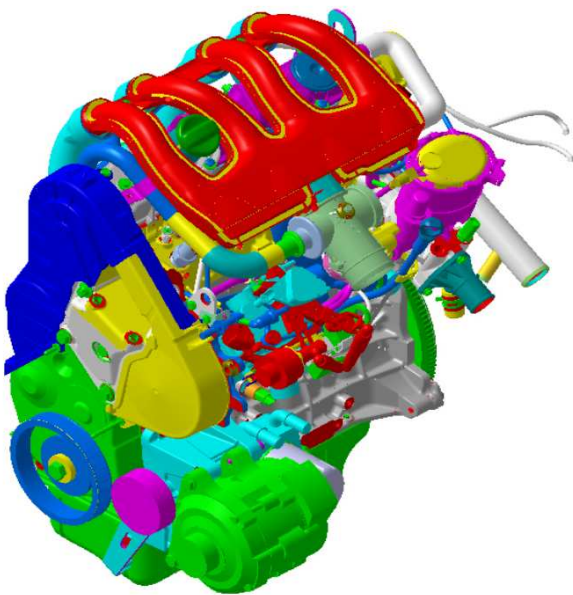


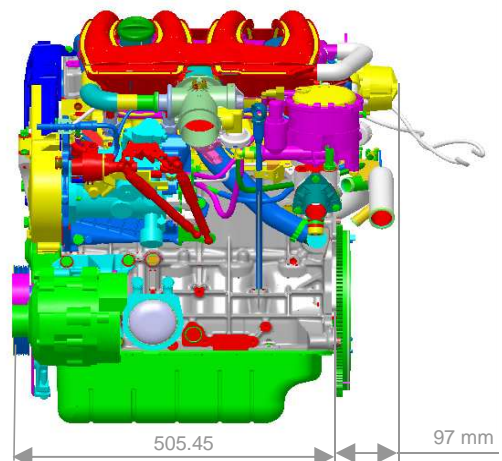
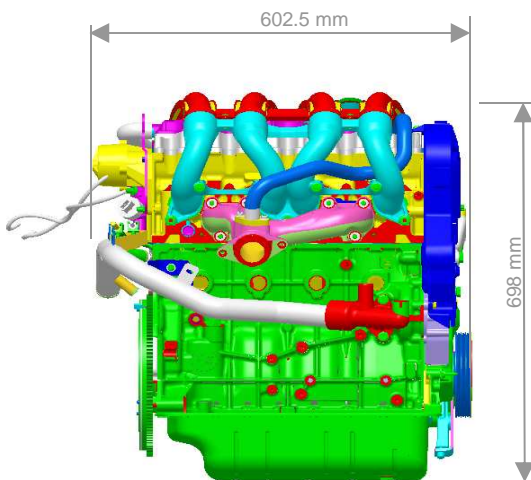
DW8B

EURO 3 Diesel Engine Automotive application version

- 1868 cc
- 4 cylinders in Line
- Indirect Injection
- 2 valves per cylinder
- Naturally aspirated
- 51,5 kW @ 4 600 rpm
- 125 Nm @ 2 500 rpm
- Weight * : 131

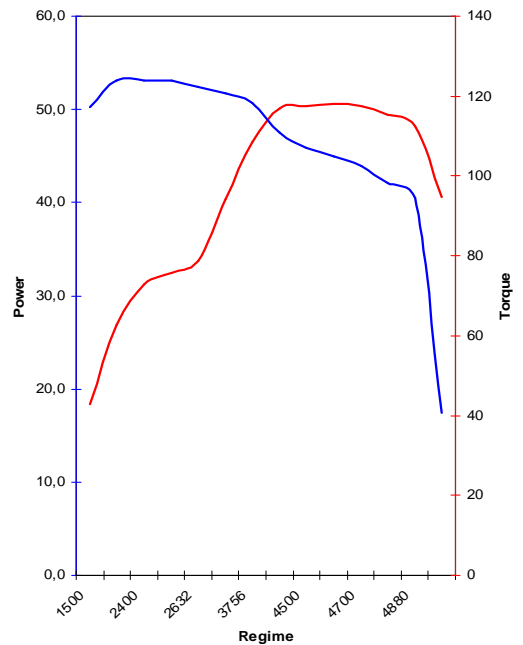


* Weight with oil and clutch without accessories



DW8B

Performances curves



- Advanced Comet Prechamber
 - ↳ Low Emission level
 - ↳ Low noise Level
- Electro/Mecanic HP pump LUCAS
- Cylinder Plateau Honing Process
- Aluminium Cylinder Head