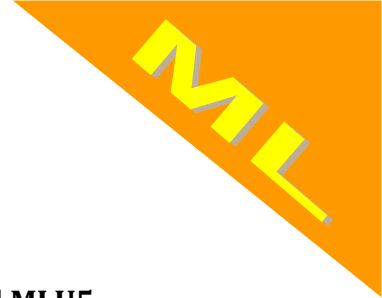


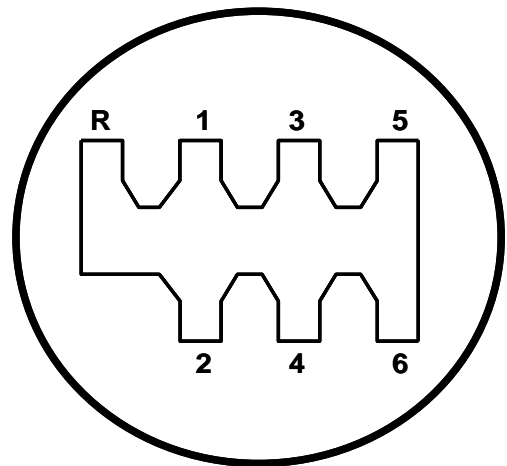
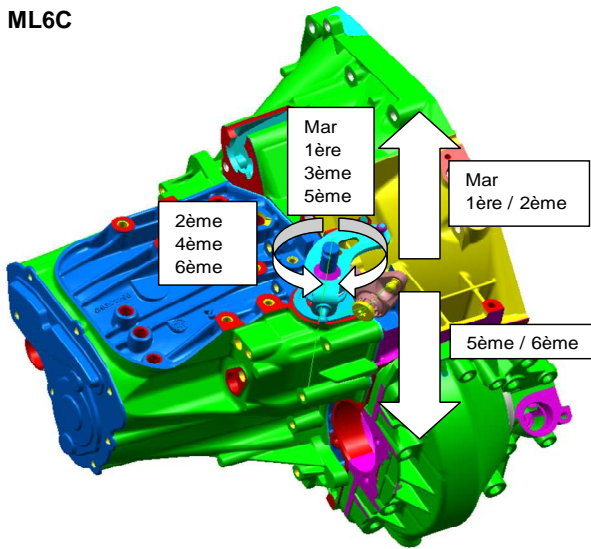
ML

Compact Gearbox



- **Transversal**
- **6 gears for ML6C and MLGU6 - 5 gears for ML5C, MLGU5 and MLU5**
- **Maximum Torque 340 Nm (R,1,2) and 370 Nm (3,4,5,6)**
- **distance between primary shaft and differential shaft 197,99 mm**
- **Max weight 54.1 Kg (with oil)**

ML6C



ML6C

